



OPG888E

14 INCH STUMP GRINDER

ATV TOWABLE • 12 CUTTING TEETH • 14HP KOHLER ENGINE

USER MANUAL



DK2 USA WEST

4301 S VALLEY VIEW BLVD.
SUITE 10-11 LAS VEGAS, NEVADA
89103 USA

DK2 CORPORATE OFFICE

5330 MAINWAY
BURLINGTON, ONTARIO
L7L6A4 CANADA

DK2 USA EAST

3750 SOUTH AVENUE,
NORTH UNIT, TOLEDO, OHIO
43615 USA

PARTS AND SERVICE 1 (888) 277-6960 | WWW.DETAILK2.COM



TABLE OF CONTENTS

SECTION I: ASSEMBLY 3

STEP 1: INSPECT THE PACKAGING..... 4

STEP 2: WHEELS 5

STEP 3: TOW BAR 6

STEP 4: HANDLE BASE..... 7

STEP 5: HANDLE 8

SECTION II: SAFETY & OPERATION 9

SAFETY CONVENTIONS 10

SAFETY LABELS..... 11

YOUR KOHLER ENGINE 12

EMERGENCY STOP 13

SAFE PRACTICES & GENERAL INFORMATION 14

TECHNICAL SPECIFICATIONS..... 18

OPERATION GUIDELINES..... 19

MAINTENANCE 24

TROUBLESHOOTING 25

SECTION III: PARTS & SCHEMATICS 26

SCHEMATICS 27

PARTS LIST 28

WARRANTY 29



SECTION I
ASSEMBLY



ASSEMBLY

CHECK THE PACKAGING

STEP 1: INSPECT THE PACKAGING

Open and unpack all items. Leave lots of working space. Inspect all parts.

The Stump Grinder is shipped in a crate. Leave the sides folded down and use as your work space.



NOTE: Upon inspection of parts, if you find any damage or missing parts please call DK2 POWER at **1 (888) 277-6960** or contact us via our website at www.detailk2.com. We will replace any damaged or missing parts to you for free. **Please do not return to the store.**

ASSEMBLY

STEP BY STEP INSTRUCTIONS



STEP 2: WHEELS

1. Install both wheels on the axle and secure semi-tight with the provided lock nut, allowing the wheel to spin freely.
2. The wheel with the large brake disk mounts on the same side as the belt drive.



BRAKE WHEEL MOUNTS ON THIS SIDE OF THE GRINDER



ASSEMBLY

STEP-BY-STEP INSTRUCTIONS

STEP 3: TOW BAR

Install the universal tow bar and trolley wheel to the unit. The trolley wheel can flip up and down depending on the task.



ASSEMBLY

STEP BY STEP INSTRUCTIONS



ENGLISH

STEP 4: HANDLE BASE

INSTALL THE HANDLE BASE
USING THE HARDWARE
PROVIDED.





ASSEMBLY

STEP-BY-STEP INSTRUCTIONS

STEP 5: HANDLE



INSTALL THE BOW HANDLE USING THE LONG BOLT AND SPIN HANDLE PROVIDED. ALIGN THE TEETH AND TIGHTEN.



SECTION II
SAFETY & OPERATION



SAFETY & OPERATION

SAFETY CONVENTIONS

CONVENTIONS USED IN THIS MANUAL

⚠ WARNING: This indicates a hazardous situation, which, if not avoided, could result in death or serious injury.

⚠ CAUTION: This indicates a hazardous situation, which, if not avoided, could result in minor or moderate injury.

⚠ NOTICE: This information is important in proper use of your machine. Failure to follow this instruction could result in damage to your machine or property.

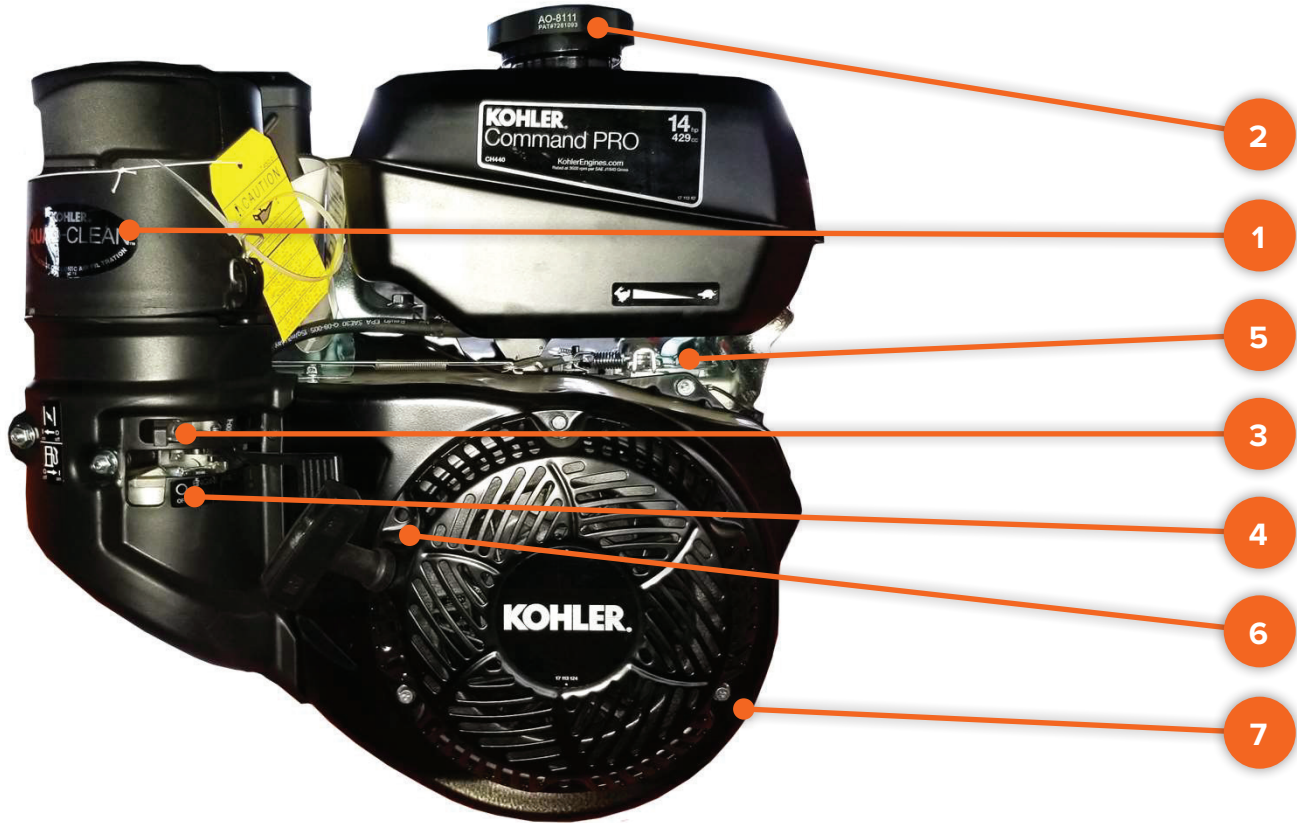
ADDITIONAL INFORMATION AND POTENTIAL CHANGES

We reserve the right to discontinue, change, and improve our products at any time without notice or obligation to the purchaser. The descriptions and specifications contained in this manual were in effect at printing. Equipment described within this manual may be optional. Some illustrations may not be applicable to your machine.



SAFETY & OPERATION

YOUR KOHLER ENGINE



1	Air Filter - Summer and Winter Positions
2	Choke - Left is On / Right is Off (Run Position)
3	Gas - Use Mid Grade or Higher
4	Gas On / Off Switch - Left is Off / Right is On
5	Throttle - Rabbit Fast / Turtle Slow
6	Pull Starter - Pull Tight - Then Pull Start
7	Oil - Fill to mark 10W30, will not start if oil is low, has low oil shutoff protection. Two yellow caps are oil fill caps, use either one to fill oil.

SAFETY & OPERATION

EMERGENCY STOP



- ⚠ WARNING:** Make sure the emergency stop wire is connected properly. If not, this may result in death or serious injury.

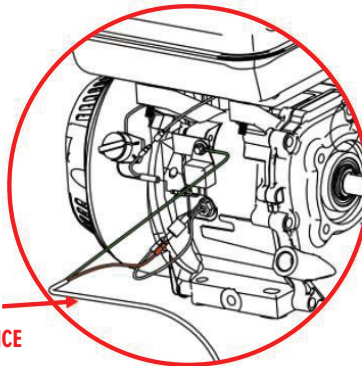


WARNING: EMERGENCY STOP AVERTISSEMENT : ARRÊT D'URGENCE



(EN) Make sure the emergency stop wire is connected properly. If not, this may result in death or serious injury.

(FR) Assurez-vous que le fil d'arrêt d'urgence est correctement connecté. Sinon, cela peut entraîner la mort ou des blessures graves.



EMERGENCY STOP WIRE
CÂBLE D'ARRÊT D'URGENCE

- ⚠ WARNING:** Read this Safety & Operations section before you use the Stump Grinder. Become familiar with the operation and service recommendations to ensure the best performance of your machine.

- ⚠ CAUTION:** This machine is designed solely to grind stumps and must not be used for any other purpose. It should only be used by trained operators who are familiar with the content of this manual. It is potentially hazardous to fit or use any parts other than DK2 OEM parts. The company disclaims all liability for the consequences of such use, which in addition voids the machine warranty.



SAFETY & OPERATION

SAFE PRACTICES & GENERAL INFORMATION

⚠ NOTICE: BEFORE USING THE STUMP GRINDER

- Clear area of all people and property that could be damaged.
- Flying projectiles from operation can cause injury.
- Wear safety glasses, hearing protection, and gloves.
- Do not wear loose fitting clothes that could get stuck in the moving parts of the machine.
- Children should not run this equipment.
- Stay alert of your surroundings and persons that could appear in the area of operation.
- Operators must be fully trained before using this machine.
- User manual is read and understood.
- Machine is positioned on level ground; all guards are fitted and in good condition.
- Teeth are good condition and secure.
- All fasteners are checked for tightness.
- Only stumps are removed with this machine.
- Emergency stop wire is correctly connected and the switch is functional.
- Fire extinguisher is available on site.

⚠ NOTICE: WHEN USING THE STUMP GRINDER

- Always stay clear of the rotating cutter wheel.
- It is better to have a second trained operator within easy reach of the machine.
- Always maintain strict discipline and service the machine at specified periods.
- DO NOT grind stumps with tow bar installed.
- DO NOT put any part of your body near the cutter while the machine is running.
- DO NOT operate the machine while under the influence of alcohol or drugs.
- DO NOT operate inside a building or confined space.

SAFETY & OPERATION

SAFE PRACTICES & GENERAL INFORMATION



⚠ WARNING: PROTECTING YOURSELF AND THOSE AROUND YOU

This is a powerful machine, with moving parts operating with high energy. You must operate the machine safely. Unsafe operation can create several hazards for you, as well as anyone else in the nearby area. Always take the following precautions when using this machine.

- Keep in mind that the operator or user is responsible for accidents or hazards occurring to other people, their property, and themselves.
- Always wear protective goggles or safety glasses with side shields while using the Stump Grinder to protect your eyes from possible thrown debris.
- Avoid wearing loose fitting clothing or jewellery, which can catch on moving parts.
- We recommend wearing gloves while operating the Stump Grinder. Be sure your gloves fit properly and do not have loose cuffs or drawstrings.
- Wear shoes with non-slip treads when using your Stump Grinder. If you have safety shoes, we recommend wearing them. Do not use this machine while barefoot or wearing open-toed footwear.
- Wear long pants while operating the Stump Grinder.
- Always keep bystanders at least 50 feet away from your work area. Stop the engine when another person or pet approaches.

⚠ WARNING: SAFETY FOR CHILDREN AND PETS

Tragic accidents can occur if the operator is not alert to the presence of children and pets. Children are often attracted to the machine and the grinding activity. Never assume that children will remain where you last saw them. Always follow these precautions.

- Keep children and pets at least 50 feet from the working area and ensure they are under the watchful care of a responsible adult.
- Be alert and turn the machine off if children or pets enter the work area.
- Never allow children to operate the Stump Grinder.



SAFETY & OPERATION

SAFE PRACTICES & GENERAL INFORMATION

⚠ WARNING: SAFETY WITH GASOLINE

Gasoline is a highly flammable liquid. Gasoline also gives off a flammable vapor that can be easily ignited and cause a fire or explosion. Never overlook the hazards of gasoline. Always follow these precautions.

- Never run the engine in an enclosed area or without proper ventilation as the exhaust from the engine contains carbon monoxide, which is an odorless, tasteless, and deadly poisonous gas.
- Store all fuel and oil in containers specifically designed and approved for this purpose and keep away from heat and open flame.
- Replace rubber fuel lines and grommets when worn or damaged and after 5 years of use.
- Fill the gasoline tank outdoors with the engine off and allow the engine to cool completely. Don't handle gasoline if you or anyone nearby is smoking, or if you're near anything that could cause it to ignite or explode. Reinstall the fuel tank cap and fuel container cap securely.
- If you spill gasoline, do not attempt to start the engine. Move the machine away from the area of the spill and avoid creating any source of ignition until the gas vapors have dissipated. Wipe up any spilled fuel to prevent a fire hazard and properly dispose of the waste.
- Allow the engine to cool completely before storing in any enclosure. Never store a machine that has gas in the tank, or a fuel container, near an open flame or spark such as a water heater, space heater, clothes dryer, or furnace.
- Never adjust or repair with the engine running. Shut down the engine, disconnect the spark plug wire, keeping it away from the spark plug to prevent accidental starting, wait 5 minutes before adjusting or repairing.
- Never tamper with the engine's governor setting. The governor controls the maximum safe operation speed and protects the engine. Over-speeding the engine is dangerous and will cause damage to the engine and to the other moving parts of the machine. If required, see your authorized dealer for engine governor adjustments.
- Keep combustible substances away from the engine while it is hot.
- Never cover the engine while the muffler is still hot.
- Do not operate the engine with the air cleaner or the carburetor air intake cover removed. Removal of such parts could create a fire hazard. Do not use flammable solutions to clean the air filter.
- The muffler and engine become very hot and can cause a severe burn; do not touch.

SAFETY & OPERATION

SAFE PRACTICES & GENERAL INFORMATION



⚠ WARNING: GENERAL SAFETY

Operating this Stump Grinder safely is necessary to prevent or minimize the risk of death or serious injury. Unsafe operation can create several hazards for you. Always take the following precautions when operating.

- Your machine is a powerful tool, not a plaything. Exercise extreme caution always. The machine is designed to grind stumps. Do not use it for any other purpose.
- Know how to stop the Stump Grinder quickly.
- Never operate your unit on a slippery, wet, muddy, or icy surface. Exercise caution to avoid slipping or falling.
- Never use the machine without ensuring that all guards and shields are in place.
- Never, under any conditions, remove, bend, cut, fit, weld, or otherwise alter standard parts on the Stump Grinder. This includes all shields and guards. Modifications to your machine could cause personal injuries and property damage and will void your warranty.
- If the machine starts to make an unusual noise or vibrate, shut down the engine, disconnect the spark plug wire, keeping it away from the spark plug to prevent accidental starting, wait 5 minutes for the engine to cool down, then inspect for damage. Vibration is generally a warning of trouble. Check for broken or missing teeth, loose cutter wheel bearings, and loose or worn drive belt(s). Also check engine mounting bolts.
- Never tamper with safety devices. Check their proper operation regularly.
- Before performing any maintenance or inspection procedure, shut down the engine, disconnect the spark plug wire keeping it away from the spark plug to prevent accidental starting, wait 5 minutes for machine to cool down.
- Never allow people who are unfamiliar with these instructions to use the machine. Allow only responsible individuals who are familiar with these rules of safe operation to use your machine.
- Never operate in gravel or stone. It could result in personal injury or damage the machine.
- While using, don't hurry or take things for granted. When in doubt about the equipment or your surroundings stop the machine and take time to look things over.
- Never operate the machine when under the influence of alcohol, drugs, or medication.
- Use the machine only in daylight. Stay alert for hidden hazards.
- Keep all nuts and bolts tight and keep the equipment in good operating condition.
- Tow the equipment safely at 25 MPH off road only. NEVER tow on paved streets as this will damage your ATV tires.
- ALWAYS take the brake off before towing.

NOTE: List of warnings and cautions cannot be all-inclusive. If situations occur that are not covered by this manual, the operator must apply common sense and operate this Stump Grinder in a safe manner. Contact DK2 Customer Service for assistance or questions.



SAFETY & OPERATION

TECHNICAL SPECIFICATIONS

TECHNICAL SPECIFICATIONS

ENGINE	14 HP 4-Stroke
POWER	Gasoline
WHEEL DIAMETER	14 Inches
CUTTERS	12
STUMP HEIGHT	12 Inches
STUMP DIAMETER	Any
TIRE	13.75D x 5.25W 145/70-6

SAFETY & OPERATION

OPERATION GUIDELINES



WARNING

1. Read and understand all instructions, safety precautions, and/or warnings listed in this manual before operating the Stump Grinder. If any doubt or question arises about the correct or safe method of performing anything found in this manual, please contact DK2 Customer Service at 1 (888) 277-6960
2. When operating the Stump Grinder, make sure you are standing in the safe operating area (OPERATOR ZONE). Never place any part of your body into a position that causes an unsafe operating condition.
3. Before operating the Stump Grinder, always wear protective gear, including safety goggles, hearing protection, tight-fitting gloves without draw strings or loose cuffs, and steel-toed shoes.
4. Never use an incorrect or unsafe method of operation.

STARTING THE STUMP GRINDER

1. Position your Stump Grinder on flat, dry ground.
2. Put the brake on making sure the brake pin and wheel is engaged and locked.
3. Remove the tow bar and the tow bar locking pin from the unit.
4. Make sure the fuel shut-off valve is in the “ON” position. Slide to the right.
5. Move the choke control lever to the “CHOKE” position (should only be necessary if the engine is cold). Left is on, Right is off.
6. Move the throttle control lever to the “MID” position.
7. Adjust your bow handle to the desired position.
8. Depress the safety shut-off bail on the bow handle.
9. Raise the cutter teeth off the ground and start the engine. This is a direct drive unit and the cutter wheel will rotate during unit start-up.
10. **RECOIL START:** Turn the ignition switch to the “ON” position. Grasp the recoil starter handle and slowly pull until you feel resistance. Let the cord retract a little bit, then pull the cord rapidly to start the engine. One or two pulls usually starts the engine.
11. **ELECTRIC START:** Turn and hold the key in the start position until the engine starts, then let the key return to the run position.
12. Move the choke control lever (if used for cold engine) slowly back to the “RUN” position when the engine is running well. All the way to the right.
13. Increase engine speed to FULL RABBIT RPM.



SAFETY & OPERATION

OPERATION GUIDELINES

STOPPING THE STUMP GRINDER

1. Let go of the bail shut-off on the bow handle.

OR

2. **RECOIL START:** Slide the GAS lever to the LEFT to shut the engine off.
3. **ELECTRIC START:** Turn the key to the OFF position.



STUMP GRINDING

- ⚠ NOTICE:** Clear area around stump to remove all rocks and stones.

SAFETY & OPERATION

OPERATION GUIDELINES



⚠ WARNING

Do not place your feet or hands into the cutting wheel area. This is very unsafe and could result in injury or death.

Never allow yourself or others to reach or step to the side or the front of the Stump Grinder when it is running. This is very unsafe and could cause personal injury or death.

VIBRATION

If the unit starts to vibrate abnormally shut the unit down. Inspect for missing parts or broken teeth and replace if required. Ensure your teeth bolts are fastened tightly, and check your drive belts.

⚠ THIS UNIT IS A DIRECT DUAL BELT DRIVE

- No clutch to slip or burn up but your belts will need to be tightened and checked on a regular basis to maintain 100% cutting power.
- Tip the stump grinder up with the cutters off the ground when pull starting.



SAFETY & OPERATION

OPERATION GUIDELINES

PERFORMANCE OPERATION

Approach the stump from the top, cutting straight down. Raise up out of the cut, move over in the desired direction, plunge again. Repeat across the entire stump. Move side to side to back off the stump. Adjust your bow handle for extra comfort during operation.

- For pivot grinding, set one of your wheel brakes on using the pin provided.
- To move the machine forward with the brake on, allow the rotating teeth against the stump to pull the unit forward.
- Tighten all bolts and teeth before each use. Teeth are not covered under warranty. Clean all stones and rocks away from the operating area, check for metal stakes and or nails in the tree stump before cutting.

NOTE: Kohler engines have a low oil shutoff to protect the engine, tilting the grinder higher than 12 inches at an angle can cause the oil to roll back and the low oil sensor will shut the engine off. Cut your stump 9 to 10 inches off the ground so you don't trip the sensor on the engine.

⚠ READ AND OBEY ALL WARNING LABELS ON THIS MACHINE

QUICK START SETUP

- Add 10W30 oil to the engine
- Add Gas
- Pin one wheel into pivot brake hole, other wheel free turning
- Raise up kick stand
- Turn key on
- Half throttle (choke optional for cold starts)
- Tip the unit back with the cutters off the ground
- Pull start the engine

SAFETY & OPERATION

OPERATION GUIDELINES



STUMP GRINDING

- Engine set on highest speed
- Hold tight on bow handle with both hands
- Lower cutters into top of stump, grind to the depth of the cutters
- Raise cutters up and move over for next cut, repeat
- Pivot cutters from side to side to face off remainder of the stump

POWER LOSS AT CUTTER WHEEL

- Check your belt tension - slipping belts cause power loss
- Worn belts - replace
- Belt tension should be set at .25 inch movement above and below normal belt position
- Check your four engine mounting bolts, loose engine bolts will create loose belt tension

NOTE: Use DK2 POWER OEM replacement belts for top performance.



SAFETY & OPERATION MAINTENANCE

Regular maintenance is the best way to ensure optimal performance and longevity of the machine. Please refer to this manual and the engine manufacturer’s user manual for maintenance procedures.

⚠ WARNING: Before performing any maintenance procedure or inspection, stop the engine, wait five minutes to allow all parts to cool. Disconnect spark plug wire, keeping it away from the spark plug. Disconnect the battery terminals (electric start only).

REGULAR MAINTENANCE CHECKLIST

PROCEDURE	1	2	3	4	LEGEND
Check engine oil level					BEFORE EACH USE 1
Check general equipment condition					EVERY 3 HOURS 2
Check teeth and bolts					EVERY 25 HOURS 3
Check belts					EVERY 100 HOURS 4
Check tire pressure					
Clean engine exterior and recoil cover					
Change engine oil					
Replace air filter					
Replace spark plug					

ENGINE SERVICE: Refer to the engine manufacturer’s user manual for engine maintenance.

All bearings of this Stump Grinder are sealed units and should have enough lubricant to last the life of the machine with normal use. Grease Zerks are installed if grease is ever needed. Use standard bearing grease.

SAFETY & OPERATION

TROUBLESHOOTING



Most problems are easy to fix. Consult the Troubleshooting Table below for common problems and their solutions. If you continue to experience problems, contact the DK2 Customer Service Team at 1 (888) 277-6960.

⚠ WARNING: Before performing any maintenance procedure or inspection, stop the engine, wait five minutes to allow all parts to cool. Disconnect spark plug wire, keeping it away from the spark plug.

TROUBLESHOOTING TABLE

SYMPTOM	POSSIBLE CAUSE
<p>The engine won't start</p> <p>(please refer to the engine user manual for engine-specific procedures.)</p>	<ul style="list-style-type: none"> • Is the safety bar held down to engage the safety cutoff switch? • Is the fuel shut-off valve on? Slide the lever all the way to the right. • Are you using fresh, clean unleaded gas? If the gas is old, change it. Use a fuel stabilizer if you keep gas longer than 30 days. • Is the spark plug clean? If the spark plug is dirty or cracked, change it. If it's oily, leave it out, hold a rag over the plug hole and pull the recoil cord several times to blow out any oil in the cylinder, then wipe off the plug and reinsert it.
<p>The engine lacks power or is not running smoothly.</p> <p>(please refer to the engine user manual for engine-specific procedures.)</p>	<ul style="list-style-type: none"> • Check that the throttle lever is in the "RABBIT" position. Turn off the choke. • Is the air filter clean? if it's dirty, change it following the procedure in the engine manufacturer's owner's manual. • Is the spark plug clean? If it's fouled or cracked, change it. If it's oily, leave it out, hold a rag over the plug hole and pull your recoil cord several times to blow out any oil in the cylinder, then wipe off the plug and reinsert it. • Are you using fresh, clean unleaded gas? If it's old, change it. Use a fuel stabilizer if you keep gas longer than 30 days. • Does your engine have the right amount of clean oil? If it's dirty, change it following the procedure in the engine manufacturer's owner's manual. • Check the oil level and adjust as needed.
<p>Engine smokes.</p> <p>(please refer to the engine user manual for engine-specific procedures.)</p>	<ul style="list-style-type: none"> • Check the oil level and adjust as needed. • Check the air filter and clean or replace if needed. • You may be using the wrong oil - too light for the temperature. Refer to your engine owner's manual for detailed information. • Clean the cooling fins if they're dirty.
<p>Machine does not seem to have full grinding power.</p>	<ul style="list-style-type: none"> • The belts may be too loose and slipping. Adjust or replace belts as needed. • The teeth may be dull or broken, replace. • Run engine at full RPM when grinding.



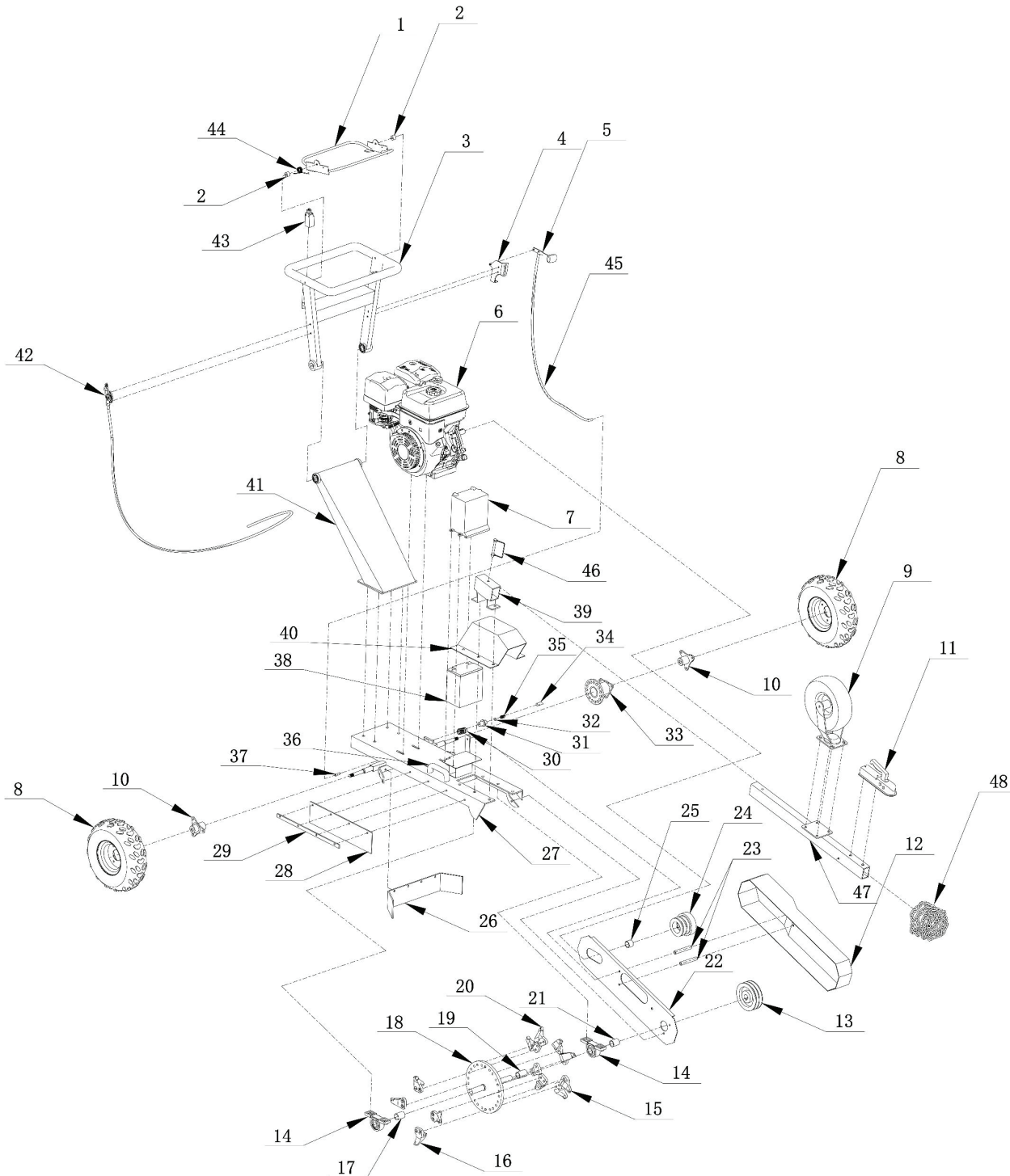
SECTION III
PARTS & SCHEMATICS

PARTS & SCHEMATICS

SCHEMATICS



ENGLISH



Scan here to access the DK2 POWER
Parts Store **or** open your browser and go to
www.detailk2.com/shop-power-equipment-parts



Your Stump Grinder model is: **OPG888E**



PARTS & SCHEMATICS

PARTS LIST

No.	Specification	No.	Specification
1	Stop Frame	35	Internal Compression Spring
2	Spacer Bush	36	Main Frame Needle
3	Bow Handle	37	Brake Line Adjusting Bolt
4	Brake Line Fixed Block	38	Battery
5	Brake Line Fixing Piece, Plastic Handle	39	Trailer Rod Holder
6	Engine	40	Teeth Cover
7	Plastic Battery Box	41	Handle Base
8	Tire	42	Throttle Cable
9	Universal Wheel	43	Stop Switch
10	Flange	44	Torsion Spring
11	Tow Hitch	45	Brake Cable
12	Belt Cover	46	Tow Bar Pin
13	Cutter Belt Wheel	47	Tow Bar
14	Bearing	48	Chain
15	Straight Tooth		
16	Right Tooth		
17	Plate Spacer Right		
18	Plate		
19	Plate Spacer Left		
20	Left Tooth		
21	Plate Pulley Spacer		
22	Inner Belt Cover		
23	Belt Cover Spacer		
24	Clutch		
25	Clutch Spacer		
26	8 Hole Rubber		
27	Main Frame		
28	4 Hole Rubber		
29	4 Hole Rubber Fix		
30	External Compression Spring		
31	Pin Retaining Sleeve		
32	Brake Cable Limit Plate		
33	Brake Chuck		
34	Brake Pin		

WARRANTY

3 YEAR ENGINE & 1 YEAR CHASSIS



PLEASE DO NOT RETURN TO THE STORE

**YOU HAVE A 1 YEAR WARRANTY AND DK2 WILL REPLACE A DEFECTIVE PART FOR FREE.
CALL US AT 1 (888) 277-6960 FOR FAST WARRANTY PARTS AND QUESTIONS.**

WHAT IS COVERED – 3 YEAR ENGINE AND 1 YEAR COMMERCIAL WARRANTY INCLUDED

Detail K2 Inc. warrants to the original purchaser that product will be free and clear of manufacturing defects in workmanship and materials under normal use and service for a period of one (1) year from the date of the original purchase. If within one (1) year from the original date of purchase this product fails due to defect in material or workmanship, Detail K2 will repair, replace, or supply any covered defective part at our option. DK2 POWER is 1-year parts only warranty no labor. Kohler 3 year warranty is PARTS and LABOR.

Upon expiry of one (1) year, Detail K2 will have no further liability related to the product. Detail K2 does not authorize any party, including its authorized distributors or dealers, to offer any other warranty on behalf of Detail K2 Inc.

SERIAL NUMBERS MUST BE REGISTERED ONLINE AT WWW.DK2POWER.COM, WARRANTY NON-TRANSFERABLE.

KOHLER ENGINES – KOHLER CH SERIES ENGINES COMMERCIAL 3 YR PARTS AND LABOR WARRANTY

KOHLER ENGINES – KOHLER SH SERIES ENGINES RESIDENTIAL 2 YR PARTS AND LABOR WARRANTY

see your Kohler manual for specific warranty.

DK2–1-Year parts only, no labor. 3-year commercial Kohler warranty.

THIS WARRANTY DOES NOT COVER OR APPLY TO:

- (a) Damage to the product due to misuse, mishandling and abuse
- (b) Improper installation, maintenance and storage
- (c) Expendable parts such as nuts and bolts, pins and springs, wiring and switch components, hydraulic hoses and fittings, cutting teeth, cutting chains, cutting blades, throttles, belts and tires.
- (d) Normal wear and tear
- (e) Consequential damage & incidental damages such as damage to persons or property

PROCEDURE FOR OUTDOOR POWER EQUIPMENT WARRANTY

Within the one (1) year warranty period, the purchaser of the product can CALL 1 (888) 277-6960 or contact us on www.DK2Power.com. Notify us of the claimed defect and provide proof of original purchase. At this time the validity of the claim will be determined, and if approved replacement parts will be issued. No returned product will be accepted under warranty unless accompanied by an RGA# issued by Detail K2 Inc.

DAMAGED FREIGHT

Damage to your product caused by freight mishandling is NOT covered under warranty. If your freight arrives damaged, REFUSE it. **Inspect your product when it arrives**, otherwise if you accept it, you will be responsible for filing any freight claims with the delivery company. DK2 warranty excludes damage to product.

RETURNS BEFORE GAS AND OIL

Follow the return policy from the retailer you purchased the equipment from.

RESOLUTION FOR A DEFECTIVE PRODUCT AFTER GAS AND OIL HAS BEEN ADDED.

Call us at 1 (888) 277-6960 between 8am-4pm Monday to Friday EST.



OPG888E

BROYEUR DE SOUCHE 14 POUCES

VTT REMORQUABLE • 12 DENTS DE COUPE • MOTEUR KOHLER 14HP

GUIDE DE MONTAGE



DK2 USA OUEST

4301 S VALLEY VIEW BLVD.
SUITE 10-11 LAS VEGAS, NEVADA
89103 ÉTATS-UNIS

DK2 SIÈGE SOCIAL CORPORATIF

5330 MAINWAY
BURLINGTON, ONTARIO
L7L6A4 CANADA

DK2 USA EST

3750 SOUTH AVENUE,
UNITÉ NORD, TOLEDO, OHIO
43615 ÉTATS-UNIS



TABLE DES MATIÈRES

SECTION I : ASSEMBLAGE	3
ÉTAPE 1 : INSPECTER L'EMBALLAGE	4
ÉTAPE 2 : ROUES	5
ÉTAPE 3 : BARRE DE REMORQUAGE	6
ÉTAPE 4 : BASE DE POIGNÉE	7
ÉTAPE 5 : POIGNÉE	8
SECTION II : SÉCURITÉ ET FONCTIONNEMENT	9
CONVENTIONS UTILISÉES DANS CE MANUEL	10
ÉTIQUETTES DE SÉCURITÉ	11
VOTRE MOTEUR KOHLER	12
ARRÊT D'URGENCE	13
PRATIQUES SÉCURITAIRES ET INFORMATIONS GÉNÉRALES	14
SPÉCIFICATIONS TECHNIQUES	19
DIRECTIVES D'UTILISATION	20
MAINTENANCE	25
DÉPANNAGE	26
SECTION III : PIÈCES ET SCHÉMAS	27
VUE EXPLOSÉE	28
LISTE DES PIÈCES	29
GARANTIE	30



SECTION I
ASSEMBLAGE



ASSEMBLAGE

VÉRIFIER L'EMBALLAGE

ÉTAPE 1 : INSPECTER L'EMBALLAGE

Ouvrir et déballer tous les articles. Laissez beaucoup d'espace de travail. Inspectez toutes les pièces.

Le broyeur de souches est expédié dans une caisse. Laissez les côtés rabattus et utilisez-les comme espace de travail.



REMARQUE : lors de l'inspection des pièces, si vous constatez des dommages ou des pièces manquantes, veuillez appeler DK2 POWER au **1 (888) 277-6960** ou contactez-nous via notre site Web à www.detailk2.com. Nous remplacerons gratuitement toute pièce endommagée ou manquante. **Merci de ne pas retourner en magasin.**

ASSEMBLAGE

INSTRUCTIONS ÉTAPE PAR ÉTAPE



ÉTAPE 2 : ROUES

1. Installez les roues sur l'essieu et fixez à moitié serré avec l'écrou de blocage fourni, permettant au roue de tourner librement.
2. La roue avec le grand disque de frein se fixe du côté des courroies.



LA ROUE AVEC LE FREIN
S'INSTALLE SUR CE CÔTÉ
DU BROYEUR





ASSEMBLAGE

INSTRUCTIONS ÉTAPE PAR ÉTAPE

ÉTAPE 3 : BARRE DE REMORQUAGE

Installez la barre de remorquage universelle et la roue du chariot sur l'unité. La roue du chariot peut basculer de haut en bas selon la tâche.



ASSEMBLAGE

INSTRUCTIONS ÉTAPE PAR ÉTAPE



FRANÇAIS

ÉTAPE 4 : BASE DE POIGNÉE

INSTALLER LA BASE DE LA
POIGNÉE EN UTILISANT LA
QUINCAILLERIE FOURNIE





ASSEMBLAGE

INSTRUCTIONS ÉTAPE PAR ÉTAPE

ÉTAPE 5 : POIGNÉE



INSTALLER LA POIGNÉE
EN UTILISANT LE LONG
BOULON ET LA POIGNÉE
ÉCROU INCLUSE. ALIGNER
LES DENTS ET SERRER.



SECTION II

SÉCURITÉ ET FONCTIONNEMENT



FONCTIONNEMENT ET SÉCURITÉ

CONVENTIONS UTILISÉES DANS CE MANUEL

CONVENTIONS USED IN THIS MANUAL

⚠ Avertissement : Ceci indique une situation dangereuse qui, si elle n'est pas évitée, pourrait entraîner mort ou de blessures graves.

⚠ Attention : Ceci indique une situation dangereuse qui, si elle n'est pas évitée, pourrait entraîner blessure mineure ou modérée.

⚠ Avis : Ces informations sont importantes pour une utilisation correcte de votre machine. Ne pas suivre cette instruction pourrait endommager votre machine ou vos biens.

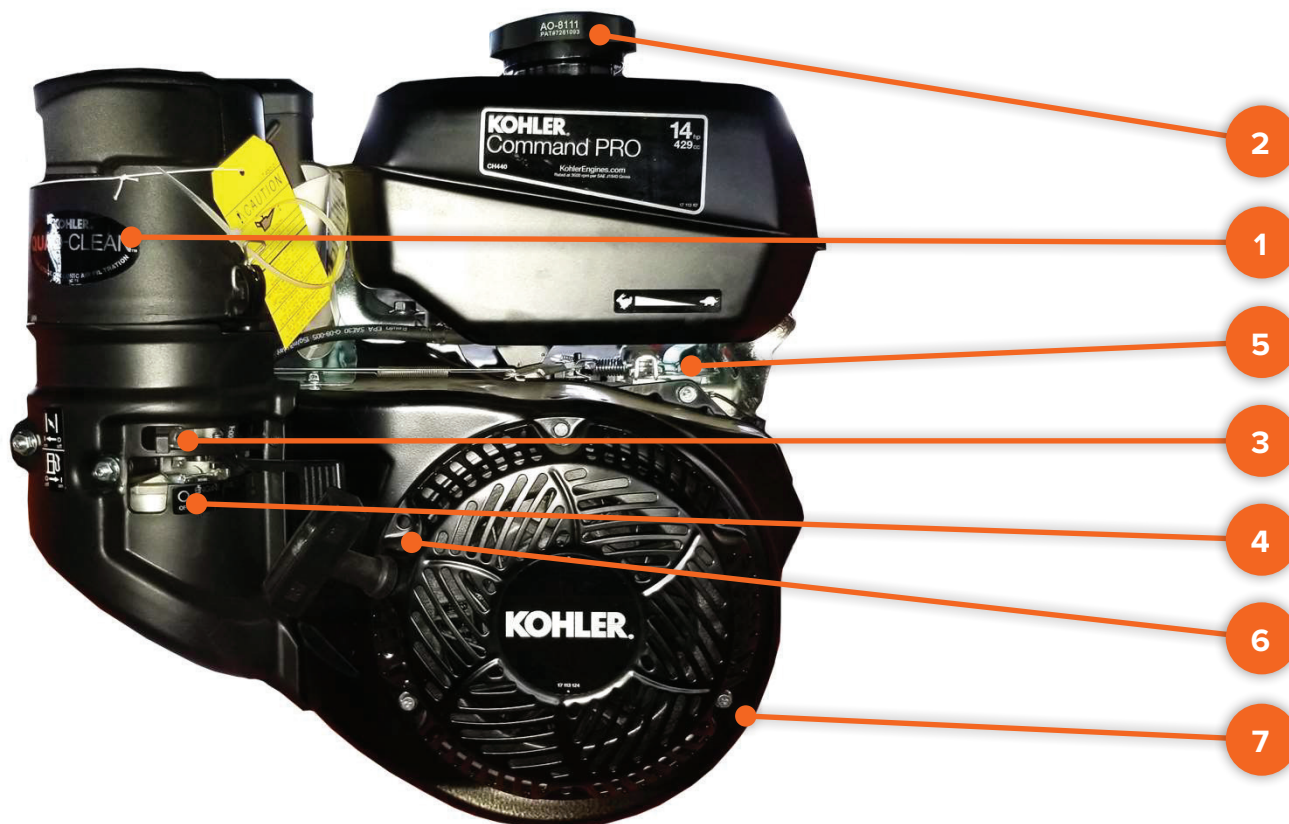
INFORMATIONS SUPPLÉMENTAIRES ET MODIFICATIONS POTENTIELLES

Nous nous réservons le droit d'interrompre, de modifier et d'améliorer nos produits à tout moment sans préavis ou obligation envers l'acheteur. Les descriptions et spécifications contenues dans ce manuel étaient en vigueur à l'impression. L'équipement décrit dans ce manuel peut être en option. Certaines illustrations peuvent ne pas s'appliquer à votre machine.



FONCTIONNEMENT ET SÉCURITÉ

VOTRE MOTEUR KOHLER



1	Filtere à air - positions été et hiver
2	Étrangleur (Choke) - La gauche est on / La droite est off (position de marche)
3	Essence - Utilisez une qualité moyenne ou supérieure
4	Interrupteur marche/arrêt des gaz - La gauche est fermée / La droite est ouverte
5	Accélérateur - Lapin rapide / Tortue lente
6	Démarrateur Manuel – tirer légèrement - Puis tirer rigoureusement pour démarrer
7	Huile - Remplissez jusqu'à la marque repère d'huile 10W30, le moteur ne démarrera si le niveau d'huile est bas, il y a un système de protection contre le manque d'huile. Il y a deux bouchons jaunes pour remplissage d'huile, utilisez l'un ou l'autre pour remplir l'huile.

FONCTIONNEMENT ET SÉCURITÉ

ARRÊT D'URGENCE



- ⚠ AVERTISSEMENT :** Assurez-vous que le câble d'arrêt d'urgence est correctement connecté. Si non, ce peut entraîner la mort ou des blessures graves.

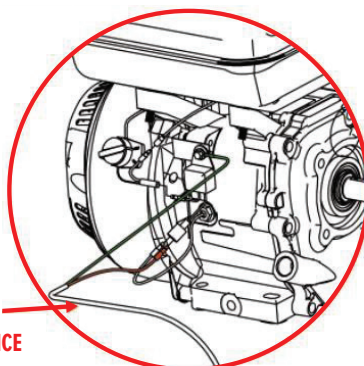


WARNING: EMERGENCY STOP AVERTISSEMENT : ARRÊT D'URGENCE



(EN) Make sure the emergency stop wire is connected properly. If not, this may result in death or serious injury.

(FR) Assurez-vous que le fil d'arrêt d'urgence est correctement connecté. Sinon, cela peut entraîner la mort ou des blessures graves.



EMERGENCY STOP WIRE
CÂBLE D'ARRÊT D'URGENCE

- ⚠ AVERTISSEMENT :** Lisez cette section sur la sécurité et les opérations avant d'utiliser le broyeur de souche. Familiarisez-vous avec les recommandations d'utilisation et d'entretien pour vous assurer les meilleures performances de votre machine.

- ⚠ ATTENTION :** Cette machine est conçue uniquement pour broyer les souches et ne doit pas être utilisée à toute autre fin. Il ne doit être utilisé que par des opérateurs formés qui ont pris connaissance du contenu de ce manuel. Il est potentiellement dangereux d'installer ou d'utiliser des pièces d'autres que les pièces d'origine DK2. La société décline toute responsabilité pour les conséquences de telles utilisations, ce qui annule en outre la garantie de la machine.



FONCTIONNEMENT ET SÉCURITÉ

PRATIQUES DE SÉCURITÉ ET INFORMATIONS GÉNÉRALES

⚠ AVIS : AVANT D'UTILISER LE BROYEUR DE SOUCHES

- Librez l'espace de toutes les personnes et biens qui pourraient être blessés ou endommagés.
- Les projectiles projetés lors de l'utilisation peuvent causer des blessures.
- Portez des lunettes de sécurité, une protection auditive et des gants.
- Ne portez pas de vêtements amples qui pourraient se coincer dans les pièces mobiles de la machine.
- Les enfants ne doivent pas utiliser cet équipement.
- Restez attentif à votre environnement et aux personnes qui pourraient apparaître dans la zone d'opération.
- Les opérateurs doivent être parfaitement formés avant d'utiliser cette machine.
- Le manuel d'opération est lu et compris.
- La machine est positionnée sur un sol plat ; tous les gardes de protection sont en place et en bon état.
- Les dents sont en bon état et sécurisées.
- Toutes les fixations sont vérifiées pour l'étanchéité.
- Seules les souches sont enlevées avec cette machine.
- Le fil d'arrêt d'urgence est correctement connecté et l'interrupteur est fonctionnel.
- Un extincteur est disponible sur place.

⚠ AVIS : LORS DE L'UTILISATION DE LA BROYEUSE DE SOUCHE

- Restez toujours à l'écart du disque de coupe en rotation.
- Il est préférable d'avoir un deuxième opérateur formé à portée de main de la machine.
- Toujours maintenir une discipline stricte et entretenir la machine à des périodes spécifiées.
- NE PAS broyer les souches avec la barre de remorquage installée.
- NE mettez AUCUNE partie de votre corps près du disque de coupe lorsque la machine est en marche.
- N'utilisez PAS la machine sous l'influence de l'alcool ou de drogues.
- NE PAS faire fonctionner à l'intérieur d'un bâtiment ou d'un espace confiné.

FONCTIONNEMENT ET SÉCURITÉ

PRATIQUES DE SÉCURITÉ ET INFORMATIONS GÉNÉRALES



⚠ ATTENTION : PROTÉGER VOUS ET CEUX QUI VOUS ENTOURENT

Il s'agit d'une machine puissante, avec des pièces mobiles fonctionnant à haute énergie. Vous devez exploiter la machine en toute sécurité. Un fonctionnement dangereux peut créer plusieurs dangers pour vous, ainsi que pour toute autre personne dans la zone à proximité. Prenez toujours les précautions suivantes lorsque vous utilisez cette machine.

- Gardez à l'esprit que l'opérateur ou l'utilisateur est responsable des accidents ou des dangers survenant à d'autres personnes, leurs biens et eux-mêmes.
- Portez toujours des lunettes de protection ou des lunettes de sécurité avec écrans latéraux lors de l'utilisation de la broyeuse pour protéger vos yeux des éventuels débris projetés.
- Évitez de porter des vêtements amples ou des bijoux qui pourraient s'accrocher aux pièces mobiles.
- Nous vous recommandons de porter des gants lors de l'utilisation de la broyeuse de souches. Assurez-vous que vos gants s'adaptent correctement et n'ont pas de poignets ou de cordons lâches.
- Portez des chaussures avec des semelles antidérapantes lorsque vous utilisez votre broyeur de souches. Si vous avez des chaussures de sécurité, nous vous recommandons de les porter. N'utilisez pas cette machine pieds nus ou en portant des chaussures avec les orteils à découvert.
- Portez des pantalons longs lorsque vous utilisez la broyeuse de souches.
- Gardez toujours les passants à au moins 50 pieds de votre zone de travail. Arrêtez le moteur lorsqu'une autre personne ou un animal domestique s'approche.

⚠ AVERTISSEMENT : SÉCURITÉ POUR LES ENFANTS ET LES ANIMAUX DE COMPAGNIE

Des accidents tragiques peuvent survenir si l'opérateur n'est pas attentif à la présence d'enfants et d'animaux domestiques. Les enfants sont souvent attirés par la machine et l'activité de broyage. Ne présumez jamais que les enfants resteront là où vous les avez vus pour la dernière fois. Suivez toujours les précautions suivantes.

- Gardez les enfants et les animaux domestiques à au moins 50 pieds de la zone de travail et assurez-vous qu'ils sont sous la garde d'un adulte responsable.
- Soyez vigilant et éteignez la machine si des enfants ou des animaux domestiques pénètrent dans la zone de travail.
- Ne laissez jamais les enfants utiliser la broyeuse de souches.



FONCTIONNEMENT ET SÉCURITÉ

PRATIQUES DE SÉCURITÉ ET INFORMATIONS GÉNÉRALES

⚠ AVERTISSEMENT : SÉCURITÉ AVEC L'ESSENCE

L'essence est un liquide hautement inflammable. L'essence dégage également une vapeur inflammable qui peut être enflammée facilement et provoquer un incendie ou une explosion. Ne jamais négliger les dangers de l'essence. Toujours suivre ces précautions.

- Ne jamais faire tourner le moteur dans un endroit clos ou sans ventilation adéquate, car l'échappement du moteur contient du monoxyde de carbone, qui est un gaz toxique inodore, insipide et mortel.
- Entreposer tout le carburant et l'huile dans des conteneurs spécialement conçus et approuvés à cet effet et tenir à l'écart de la chaleur et des flammes nues.
- Remplacez les conduites de carburant et les rondelles étanches en caoutchouc lorsqu'ils sont usés ou endommagés et après 5 ans d'utilisation.
- Remplissez le réservoir d'essence à l'extérieur avec le moteur arrêté et laissez le moteur refroidir complètement. Ne manipulez pas d'essence si vous ou quelqu'un à proximité fume, ou si vous êtes à proximité de tout ce qui pourrait s'enflammer ou exploser. Réinstaller le bouchon du réservoir de carburant et le bouchon du contenant pour plus de sécurité.
- Si vous renversez de l'essence, n'essayez pas de démarrer le moteur. Éloignez la machine de la zone du déversement et évitez de créer une source d'inflammation jusqu'à ce que les vapeurs de gaz soient dissipées. Essuyez tout carburant renversé pour éviter tout risque d'incendie et éliminez correctement le déchets.
- Laissez le moteur refroidir complètement avant de l'entreposer. Ne jamais ranger une machine qui a du gaz dans le réservoir, ou un bidon de carburant, près d'une flamme nue ou d'un radiateur, chauffeuse, sècheuse ou fournaise.
- Ne jamais régler ou réparer la broyeuse avec le moteur en marche. Coupez le moteur, débranchez le fil de bougie, en le gardant à l'écart de la bougie pour éviter un démarrage accidentel, attendez 5 minutes avant de régler ou de réparer.
- Ne jamais modifier le réglage du gouverneur du moteur. Le gouverneur contrôle le maximum de sécurité, la vitesse de fonctionnement et protège le moteur. L'emballement du moteur est dangereux et pourrait endommager le moteur et les autres pièces mobiles de la machine. Si nécessaire, voir
- votre concessionnaire autorisé pour les réglages du gouverneur de moteur.
- Tenez les substances combustibles éloignées du moteur lorsqu'il est chaud.
- Ne couvrez jamais le moteur lorsque le silencieux est encore chaud.
- Ne faites pas fonctionner le moteur sans le filtre à air ou le couvercle d'admission d'air du carburateur retiré.
- Le retrait de telles pièces pourrait créer un risque d'incendie. N'utilisez pas de solutions inflammables pour nettoyer le filtre à air.
- Le silencieux et le moteur deviennent très chauds et peuvent provoquer de graves brûlures ; ne vous en approchez pas lorsqu'ils sont chauds.

FONCTIONNEMENT ET SÉCURITÉ

PRATIQUES DE SÉCURITÉ ET INFORMATIONS GÉNÉRALES



⚠ AVERTISSEMENT : SÉCURITÉ GÉNÉRALE

L'utilisation de cette broyeuse de souches la sécurité est nécessaire pour prévenir ou minimiser le risque de décès ou blessure grave. Un fonctionnement dangereux peut créer plusieurs dangers pour vous. Prenez toujours les précautions suivantes lors de l'utilisation.

- Votre machine est un outil puissant, pas un jouet. Faites toujours preuve d'une extrême prudence. Cette machine est conçue pour broyer des souches. Ne l'utilisez pas à d'autres fins.
- Sachez comment arrêter rapidement cette broyeuse de souches.
- N'utilisez jamais votre appareil sur une surface glissante, mouillée, boueuse ou glacée. Soyez prudent pour éviter de glisser ou tomber.
- N'utilisez jamais la machine sans vous assurer que toutes les protections et protections sont en place.
- Ne jamais, sous aucune condition, retirer, plier, couper, ajuster, souder ou modifier de quelque manière que ce soit des pièces standard sur la broyeuse de souches. Cela inclut tous les boucliers et gardes. Modifications à votre machine pourrait causer des blessures corporelles et des dommages matériels et annulera votre garantie.
- Si la machine commence à faire un bruit inhabituel ou à vibrer, coupez le moteur, débranchez le fil de la bougie, en le tenant éloigné de la bougie pour éviter tout démarrage accidentel, attendez 5 minutes pour que le moteur refroidisse, puis vérifiez qu'il n'est pas endommagé. Les vibrations sont généralement un avertissement de problème. Vérifiez les dents cassées ou manquantes, les roulements de disque de coupe lâche et courroie(s) d'entraînement lâche ou usée. Vérifiez également les boulons de fixation du moteur.
- Ne jamais toucher aux dispositifs de sécurité. Vérifiez régulièrement leur bon fonctionnement.
- Avant d'effectuer toute procédure d'entretien ou d'inspection, arrêtez le moteur, débranchez le fil de la bougie en l'éloignant de la bougie pour éviter tout accident
- démarrage, attendez 5 minutes que la machine refroidisse.
- Ne laissez jamais des personnes qui ne connaissent pas ces instructions utiliser la machine. Permettre seulement les personnes responsables qui connaissent ces règles d'utilisation en toute sécurité pour utiliser votre machine.
- Ne jamais opérer dans du gravier ou de la pierre. Cela pourrait entraîner des blessures corporelles ou aussi endommager la machine.
- Pendant l'utilisation, ne vous pressez pas et ne prenez pas les choses pour acquises. En cas de doute sur l'équipement ou votre environnement, arrêtez la machine et prenez le temps de regarder votre plan de travail.
- N'utilisez jamais la machine sous l'influence de l'alcool, de drogues ou de médicaments.
- N'utilisez la machine qu'à la lumière du jour. Restez attentif aux dangers cachés.
- Maintenez tous les écrous et boulons serrés et maintenez l'équipement en bon état de fonctionnement.



FONCTIONNEMENT ET SÉCURITÉ

PRATIQUES DE SÉCURITÉ ET INFORMATIONS GÉNÉRALES

- Remorquer l'équipement en toute sécurité à 25 MPH(40 km) hors route uniquement. NE JAMAIS remorquer sur des rues pavées car cela endommager vos pneus de VTT.
- TOUJOURS desserrer le frein avant de remorquer.

REMARQUE : La liste des avertissements et des mises en garde ne peut pas être exhaustive. Si des situations qui ne sont pas couvertes par ce manuel, l'opérateur doit faire preuve de bon sens et utiliser cette broyeuse de souche en toute sécurité. Contactez le service à la clientèle de DK2 pour obtenir de l'aide ou des réponses a vos questions.

FONCTIONNEMENT ET SÉCURITÉ

SPÉCIFICATIONS TECHNIQUES



SPÉCIFICATIONS TECHNIQUES

MOTEUR	14 CV 4 temps
PUISSANCE	Essence
DIAMÈTRE DE ROUE	14 pouces
DENT DE BROYAGE	12
HAUTEUR DE SOUCHE	12 pouces
DIAMÈTRE DE SOUCHE	Quelconque
PNEU	13.75D x 5.25W 145/70-6



FONCTIONNEMENT ET SÉCURITÉ

DIRECTIVES D'UTILISATION

⚠ ATTENTION

1. Lisez et comprenez toutes les instructions, précautions de sécurité et/ou avertissements répertoriés dans ce manuel avant d'utiliser la broyeuse de souches. Si vous avez un doute ou une question qui vous vient sur la méthode sûre et correcte pour effectuer tout ce qui se trouve dans ce manuel, veuillez contacter le service à la clientèle de DK2 au 1 (888) 277-6960
2. Lorsque vous utilisez la broyeuse de souches, assurez-vous de vous tenir dans la zone de fonctionnement sûre (ZONE OPÉRATEUR). Ne placez jamais aucune partie de votre corps dans une position qui provoque une condition de fonctionnement dangereuse.
3. Avant d'utiliser la broyeuse de souches, portez toujours un équipement de protection, y compris des lunettes de sécurité, protection auditive, gants moulants sans cordons ni poignets lâches, et chaussures à embout d'acier.
4. N'utilisez jamais une méthode de fonctionnement incorrecte ou dangereuse.

DÉMARRAGE DE LA BROYEUSE DE SOUCHES

1. Placez votre broyeuse de souches sur un sol plat et sec.
2. Mettez le frein en vous assurant que la goupille de frein et la roue sont engagées et verrouillées.
3. Retirez la barre de remorquage et la goupille de verrouillage de la barre de remorquage de l'unité.
4. Assurez-vous que le robinet d'arrêt de carburant est en position «ON». Glissez vers la droite.
5. Déplacez le levier de commande sur la position «CHOKE» ÉTRANGLEUR (ne devrait être nécessaire que si le moteur est froid). La gauche est allumée, la droite est éteinte.
6. Déplacez le levier de commande des gaz à la position «MID».
7. Ajustez votre poignée-guidon à la position désirée.
8. Appuyez sur l'anse d'arrêt de sécurité sur la poignée.
9. Soulevez les dents de coupe du sol et démarrez le moteur. Il s'agit d'une unité à entraînement direct et le disque de coupe tournera pendant le démarrage de l'unité.
10. **DÉMARRAGE MANUEL** : Tournez le contacteur d'allumage à la position «ON». Saisissez la poignée du lanceur à rappel et tirez lentement jusqu'à ce que vous sentiez une résistance. Laissez le cordon se rétracter un peu, puis tirez sur le cordon rapidement pour démarrer le moteur. Une ou deux tractions démarrent généralement le moteur.
11. **DÉMARRAGE ÉLECTRIQUE** : Tournez et maintenez la clé en position de démarrage jusqu'à ce que le moteur démarre, puis laissez la clé revenir en position de marche.
12. Ramenez lentement le levier de commande (s'il est utilisé pour un moteur froid) en position «RUN» quand le moteur tourne bien. Placer le tout à droite.
13. Augmenter la vitesse du moteur jusqu'à plein régime lapin FULL RABBIT RPM.

FONCTIONNEMENT ET SÉCURITÉ

DIRECTIVES D'UTILISATION



ARRÊT DE LA BROYEUSE

1. Lâchez l'anse d'arrêt de sécurité sur la poignée.

OU

2. **DÉMARRAGE MANUEL** : Faites glisser le levier de GAZ vers la GAUCHE pour arrêter le moteur.
3. **DÉMARRAGE ÉLECTRIQUE** : Tournez la clé en position OFF.



BROYAGE DES SOUCHES

- ⚠ AVIS** : Dégagez la zone autour de la souche pour enlever toutes les roches et pierres.



FONCTIONNEMENT ET SÉCURITÉ

DIRECTIVES D'UTILISATION

⚠ ATTENTION

Ne placez pas vos pieds ou vos mains dans la zone du disque de coupe. Ceci est très dangereux et pourrait entraîner de blessure ou de décès.

Ne permettez jamais à d'autres personnes ou à vous de vous approcher ou de marcher sur le côté ou l'avant de la broyeuse de souches quand il est en marche. Ceci est très dangereux et pourrait causer des blessures ou la mort.

VIBRATION

Si l'appareil commence à vibrer de manière anormale, éteignez-le. Inspecter les pièces manquantes ou les dents brisées et les remplacer si nécessaire. Assurez-vous que vos boulons des dents sont bien serrés et vérifiez vos courroies.

⚠ CET APPAREIL EST UN ENTRAÎNEMENT DIRECT PAR DOUBLE COURROIE

- Pas d'embrayage pour glisser ou brûler, mais vos courroies devront être vérifiées et resserrées régulièrement pour maintenir une puissance de coupe de 100 %.
- Inclinez la broyeuse de souches vers le haut avec les couteaux ne touchant pas au sol lors du démarrage.

FONCTIONNEMENT ET SÉCURITÉ

DIRECTIVES D'UTILISATION



FONCTIONNEMENT PERFORMANT

Approchez-vous de la souche par le haut, en coupant vers le bas. Relevez de la coupe, déplacez-vous dans la direction souhaitée, replongez. Répétez sur toute la souche. Vous déplaçant d'un côté à l'autre de la souche. Ajustez votre poignée pour plus de confort pendant l'utilisation.

- Pour le broyage par pivot, enclenchez l'un de vos freins de roue à l'aide de la goupille fournie.
- Pour faire avancer la machine avec le frein activé, laissez les dents rotatives contre la souche pour tirer l'unité vers l'avant.
- Serrez tous les boulons et les dents avant chaque utilisation. Les dents ne sont pas couvertes par la garantie. Nettoyez toutes les pierres et les roches loin de la zone d'opération, vérifiez s'il y a des piquets métalliques et/ou des clous dans la souche d'arbre avant de commencer la coupe.

REMARQUE : les moteurs Kohler ont un capteur d'arrêt pour niveau d'huile bas pour protéger le moteur, en inclinant la broyeuse plus haut que 12 pouces l'angle peut faire reculer l'huile et le capteur de bas niveau d'huile arrêtera le moteur par sécurité. Coupez votre souche à 9 à 10 pouces du sol afin de ne pas déclencher le capteur du moteur.

⚠ LIRE ET RESPECTER TOUTES LES ÉTIQUETTES D'AVERTISSEMENT SUR CETTE MACHINE

CONFIGURATION DE DÉMARRAGE RAPIDE

- Ajouter de l'huile 10W30 au moteur
- Ajouter de l'essence
- Insérez la goupille dans une roue dans le trou de frein de pivot, l'autre roue tourne librement
- Relevez la béquille
- Tournez la clé à ON
- Demi-accélérateur (étrangleur en option pour les démarrages à froid)
- Basculez l'unité vers l'arrière avec les couteaux en haut du sol
- Tirez le démarreur du moteur.



FONCTIONNEMENT ET SÉCURITÉ

DIRECTIVES D'UTILISATION

BROYAGE DES SOUCHES

- Moteur réglé sur la vitesse la plus élevée
- Tenez fermement la poignée avec les deux mains
- Abaissez les couteaux dans le haut de la souche, broyez jusqu'à la profondeur des couteaux
- Relevez les couteaux et déplacez-vous pour la prochaine coupe, répétez
- Faites pivoter les couteaux d'un côté à l'autre pour broyer au reste de la souche

PERTE DE PUISSANCE AU DISQUE DE COUPE

- Vérifiez la tension de votre courroie - les courroies qui glissent provoquent une perte de puissance
- Courroies usées - remplacez
- La tension de la courroie doit être réglée à un mouvement de 0,25 pouce au-dessus et en dessous de la position normale de la courroie
- Vérifiez vos quatre boulons de fixation du moteur, des boulons de moteur desserrés créeront une perte de tension de courroie

REMARQUE : Utilisez les courroies de remplacement d'origine OEM DK2 POWER pour des performances optimales.

FONCTIONNEMENT ET SÉCURITÉ

MAINTENANCE



Un entretien régulier est le meilleur moyen d'assurer des performances et une longévité optimales de la machine. Veuillez vous référer à ce manuel et au manuel d'utilisation du fabricant du moteur pour Procédures de maintenance.

⚠ AVERTISSEMENT : Avant d'effectuer toute procédure de maintenance ou d'inspection, arrêtez le moteur, attendez cinq minutes pour permettre à toutes les pièces de refroidir. Débrancher le fil de bougie, en l'éloignant de la bougie. Débrancher les bornes de la batterie (démarreur électrique seul).

PROCÉDURE	1	2	3	4	LÉGENDES
Vérifier le niveau d'huile moteur					AVANT CHAQUE UTILISATION 1
Vérifier l'état général de l'équipement					TOUTES LES 3 HEURES 2
Vérifier les dents et les boulons					TOUTES LES 25 HEURES 3
Vérifier les courroies					TOUTES LES 100 HEURES 4
Vérifier la pression des pneus					
Nettoyer l'extérieur du moteur et le couvercle du démarreur manuel					
Changez l'huile du moteur					
Remplacer le filtre à air					
Remplacer la bougie					

ENTRETIEN DU MOTEUR : reportez-vous au manuel d'utilisation du fabricant du moteur pour l'entretien du moteur.

Tous les roulements de cette broyeuse de souches sont des roulements scellés et devraient avoir suffisamment de lubrifiant pour durer le durée de vie de la machine en utilisation normale. Des graisseurs Zerks sont installés si de la graisse est nécessaire. Utilisation de graisse de roulement standard.



FONCTIONNEMENT ET SÉCURITÉ

DÉPANNAGE

La plupart des problèmes sont faciles à résoudre. Consultez le tableau de dépannage ci-dessous pour les problèmes courants et leurs solutions. Si vous continuez à rencontrer des problèmes, contactez le service à la clientèle de DK2 au 1 (888) 277-6960.

⚠ AVERTISSEMENT : Avant d'effectuer toute procédure d'entretien ou d'inspection, arrêtez le moteur, attendez cinq minutes pour permettre à toutes les pièces de refroidir. Débrancher le fil de bougie, en le gardant éloigné de la bougie.

TABLEAU DE DÉPANNAGE

SYMPTÔME

CAUSE POSSIBLE

Le moteur ne démarre pas.

(veuillez vous référer au manuel d'utilisation du moteur pour moteur spécifiques procédures.)

- La barre de sécurité est-elle maintenue enfoncée pour enclencher l'interrupteur de sécurité ?
- Le robinet d'arrêt de carburant est-il ouvert ? Faites glisser le levier complètement vers la droite.
- Utilisez-vous de l'essence sans plomb fraîche et propre ? Si l'essence est vieille, changez-la. Utilisez un stabilisateur de carburant si vous gardez l'essence pendant plus de 30 jours.
- La bougie est-elle propre ? Si la bougie est sale ou fissurée, changez-la. S'il est gras, laissez-le de côté, maintenez un chiffon sur le trou du bouchon et tirez le cordon de recul plusieurs fois pour souffler toute huile dans le cylindre, puis essuyez la bougie et réinsérez-la.

Le moteur manque de puissance ou ne fonctionne pas rondement.

(veuillez vous référer au manuel d'utilisation du moteur pour moteur spécifiques procédures.)

- Vérifiez que la manette des gaz est en position « LAPIN ». Éteignez l'étrangleur.
- Le filtre à air est-il propre ? S'il est sale, le changer en suivant la procédure du constructeur du moteur dans le manuel du propriétaire.
- La bougie est-elle propre ? Si la bougie est sale ou fissurée, changez-la. S'il est gras, laissez-le de côté, maintenez un chiffon sur le trou du bouchon et tirez le cordon de recul plusieurs fois pour souffler toute huile dans le cylindre, puis essuyez la bougie et réinsérez-la.
- Utilisez-vous de l'essence sans plomb fraîche et propre ? Si l'essence est vieille, changez-la. Utilisez un stabilisateur de carburant si vous gardez l'essence pendant plus de 30 jours.
- Votre moteur a-t-il la bonne quantité d'huile propre ? Si elle est souillée, changez-la en suivant la procédure du le manuel du propriétaire du fabricant du moteur.
- Vérifiez le niveau d'huile et ajustez au besoin.

Le moteur fume.

(veuillez vous référer au manuel d'utilisation du moteur pour moteur spécifiques procédures.)

- Vérifiez le niveau d'huile et ajustez au besoin.
- Vérifiez le filtre à air et nettoyez-le ou remplacez-le si nécessaire.
- Vous utilisez peut-être la mauvaise huile - trop légère pour la température. Référez-vous au manuel du propriétaire de votre moteur pour des informations détaillées.
- Nettoyez les ailettes de refroidissement si elles sont sales.

La machine ne semble pas avoir une puissance complète de broyage

- Les courroies peuvent être trop relâchées et glissantes. Ajustez ou remplacez les courroies au besoin.
- Les dents peuvent être émoussées ou cassées, remplacez-les.
- Faites tourner le moteur à plein régime lors du broyage.

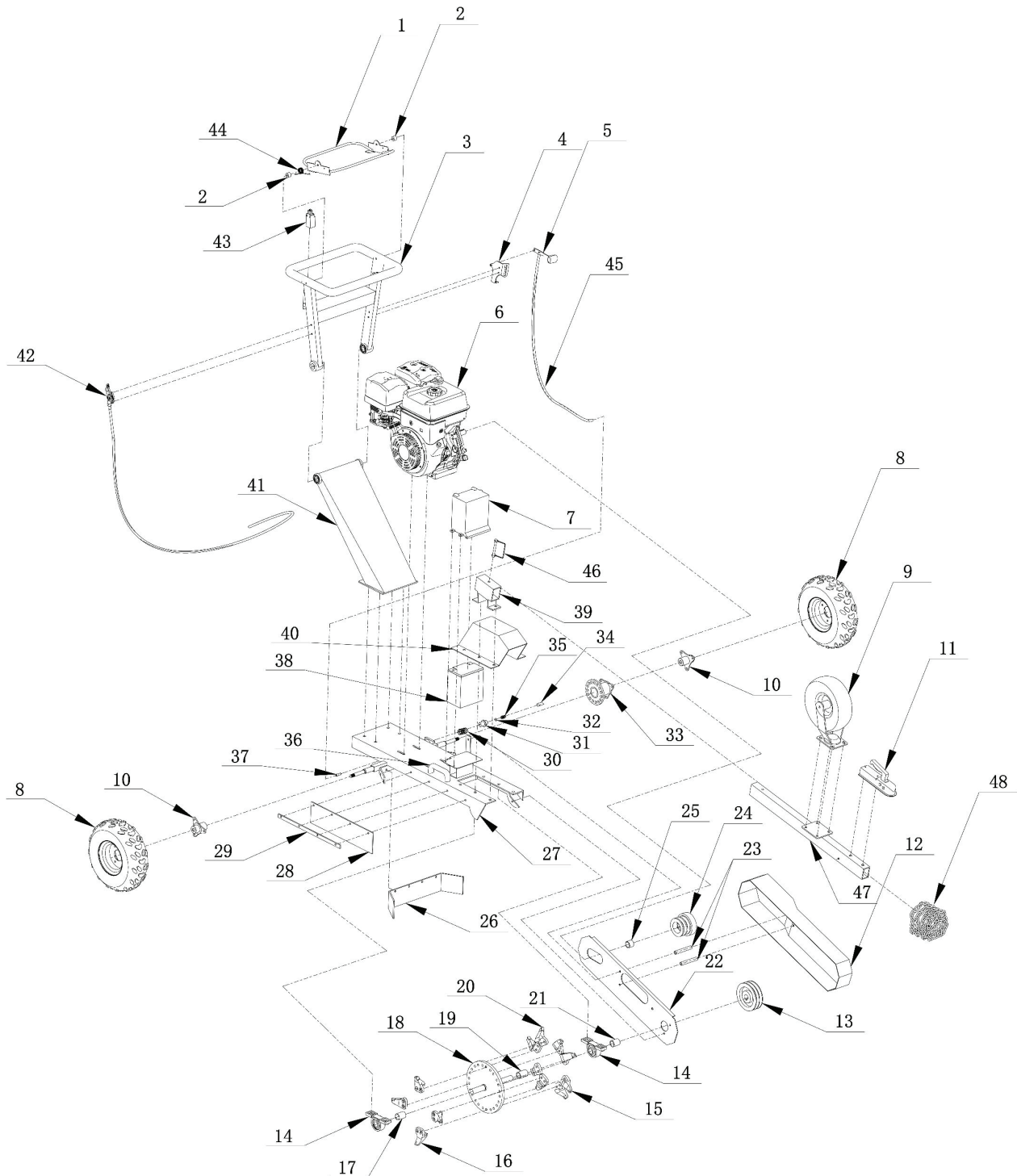


SECTION III
PIÈCES & SCHÉMAS



PIÈCES & SCHÉMAS

SCHÉMAS



Scannez ici pour accéder au DK2 POWER
Parts Store **ou** ouvrez votre navigateur et accédez à
www.detailk2.com/shop-power-equipment-parts

Votre modèle de broyeur de souches est : **OPG888E**

PIÈCES & SCHÉMAS

LISTE DES PIÈCES



No.	Spécification	No.	Spécification
1	Cadre d'arrêt	34	Goupille de frein
2	Bague d'espacement	35	Ressort de compression interne
3	Poignée avant	36	Aiguille du cadre principal
4	Ligne de Frein Bloc fixe	37	Boulon de réglage de la conduite de frein
5	Pièce de fixation de la conduite de frein, poignée en plastique	38	Batterie
6	Moteur	39	Porte-barre de remorque
7	Boîtier de batterie en plastique	40	Garde
8	Pneu	41	Base de poignée
9	Roue universelle	42	Câble d'accélérateur
10	Bride	43	Interrupteur d'arrêt
11	Attelage de remorquage	44	Ressort de torsion
12	Garde de courroies	45	Câble de frein
13	Poulie de courroie	46	Goupille
14	Roulement à billes	47	Barre de remorquage
15	Dent droite	48	Chaîne
16	Dent coté droit		
17	Entretoise de plaque coté droit		
18	Plaque		
19	Entretoise de plaque gauche		
20	Dent Gauche		
21	Entretoise plaque de poulie		
22	Housse de courroie intérieure		
23	Entretoise de couvercle de courroie		
24	Embrayage		
25	Espaceur d'embrayage		
26	Caoutchouc à 8 trous		
27	Cadre principal		
28	Caoutchouc 4 trous		
29	Fixation en caoutchouc à 4 trous		
30	Ressort de compression externe		
31	Manchon goupille de retenue		
32	Plaque de limite de câble de frein		
33	Mandrin de frein		



GARANTIE

3 ANS DE MOTEUR ET 1 AN DE CHÂSSIS

VEUILLEZ NE PAS RETOURNER AU MAGASIN

VOUS AVEZ UNE GARANTIE DE 1 AN ET DK2 REMPLACERA GRATUITEMENT UNE PIÈCE DÉFECTUEUSE. APPELEZ-NOUS AU 1 (888) 277-6960 POUR DES PIÈCES DE GARANTIE ET DES QUESTIONS RAPIDES.

CE QUI EST COUVERT - MOTEUR DE 3 ANS ET GARANTIE COMMERCIALE DE 1 AN INCLUS

Detail K2 Inc. garanti à l'acheteur original que le produit sera exempt de défauts de fabrication et matériaux dans des conditions normales d'utilisation et de service pendant une période d'un (1) an à compter de la date originale d'achat. Si dans un délai d'un (1) an à compter de la date d'achat d'origine, ce produit tombe en panne en raison d'un défaut matériel ou fabrication, Detail K2 réparera, remplacera ou fournira toute pièce défectueuse couverte par la garantie à notre gré. La Garantie de DK2 POWER est de 1 an sur les pièces seulement Cette garantie ne s'applique pas à la main-d'oeuvre. La garantie Kohler de 3 ans est PIÈCES et MAIN-D'OEUVRE.

À l'expiration d'un (1) an, Detail K2 n'aura plus aucune responsabilité liée au produit. Le détail K2 n'autorise aucune partie, y compris ses distributeurs ou revendeurs agréés, à offrir toute autre garantie au nom de Detail K2 Inc.

LES NUMÉROS DE SÉRIE DOIVENT ÊTRE ENREGISTRÉS EN LIGNE SUR WWW.DK2POWER.COM, GARANTIE NON TRANSFÉRABLE.

MOTEURS KOHLER – MOTEURS KOHLER SÉRIE CH COMMERCIAL 3 ANS PIÈCES ET MAIN D'UVRE GARANTIE
MOTEURS KOHLER – MOTEURS KOHLER SÉRIE SH RÉSIDENTIELS 2 ANS PIÈCES ET MAIN D'OEUVRE GARANTIE
Consultez votre manuel Kohler pour une garantie spécifique.

DK2-1 an pièces uniquement, pas de main-d'oeuvre. Garantie commerciale Kohler de 3 ans.

CETTE GARANTIE NE COUVRE ET NE S'APPLIQUE PAS À :

- (a) Dommages au produit dus à une mauvaise utilisation, une mauvaise manipulation et/ou un abus
- (b) Installation, entretien et entreposage inappropriés
- (c) Les pièces consommables telles que les écrous et boulons, les goupilles et les ressorts, les composants de câblage et de commutateur, les tuyaux hydrauliques et raccords, dents de coupe, chaînes de coupe, lames de coupe, accélérateurs, courroies et pneus.
- (d) Usure normale
- (e) Dommages indirects et dommages accessoires tels que dommages aux personnes ou aux biens

PROCÉDURE DE GARANTIE DES ÉQUIPEMENTS D'EXTÉRIEURS

Au cours de la période de garantie d'un (1) an, l'acheteur du produit peut APPELEZ 1 (888) 277-6960 ou contactez-nous au www.DK2Power.com. Signalez-nous le défaut revendiqué et fournissez la preuve de l'achat d'origine. À ce stade, la validité de la réclamation sera déterminé et si des pièces de remplacement approuvées seront émises. Aucun produit retourné ne sera accepté sous-garantie à moins d'être accompagnée d'un RGA# émis par Detail K2 Inc.

DOMMAGE DU AU TRANSPORT

Les dommages causés à votre produit par une mauvaise manipulation du transporteur ne sont PAS couverts par la garantie. Si votre caisse arrive endommagé, REFUSEZ-LA. **Inspectez votre produit à son arrivée**, sinon si vous l'acceptez, vous serez responsable du dépôt de toute réclamation auprès de la société de livraison. La garantie DK2 exclut les dommages au produit du au transporteur.

RETOURS AVANT ESSENCE ET HUILE

Suivez la politique de retour du détaillant chez qui vous avez acheté l'équipement.

RÉSOLUTION POUR UN PRODUIT DÉFECTUEUX APRÈS L'AJOUT DE L'ESSENCE ET DE L'HUILE.

Appelez-nous au 1 (888) 277-6960 entre 8 h et 16 h du lundi au vendredi HNE.